

JOWA USA

Modbus Digital Display Meter PD6088 Series



Features:

- Communicates via Modbus® RS-485 RTU Serial; Master, Slave, or Snooper
- Scan up to 16 Modbus Variables
- 32-Point, Square Root, or Exponential Linearization; multiple math functions
- Large Dual-Line 6-Digit Display, 0.60" & 0.46"
- NEMA 4X, IP65 Front
- Multi-Pump Alternation Control
- Onboard USB and ScanView Programming Software
- Universal Input Power 85-265VAC
- Optional 2 or 4 Relays & Isolated 4-20 mA Output
- Optional SunBright Display Models for Outdoor Applications

Description:

Digital display meters provide readout of liquid level or temperature when used with level or level/temperature sensors and transmitters. These panel mount meters are standard 1/8 DIN size and constructed of high impact plastic. The front panel is NEMA 4X. For wall mounting, an optional NEMA 4X Polycarbonate enclosure is available with hardware and a cut-out to mount the meter. The second line display is user configurable and the 3 function keys are programmable.

Specifications:

Display: Upper: six digits (-99999 to 999999) 0.60" (15mm) high; Lower: six digits 0.46" (12 mm) high; Symbols: for high & low alarm, Password Lock. Red LEDs

Display Update Rate: 1/second to 1/99.9 seconds

Programming Method: Four front panel buttons, digital inputs, PC and ScanView software, Modbus registers, or cloning using Copy function.

Modbus Digital Display Meter PD6088 Series

Specifications:

(Except where noted all specifications apply to operation at +25°C.)

Noise Filter: Programmable from 2 - 199 (0 disables)

Max/Min Display: Max/Min readings reached by the process are stored until reset by the user or until power to the meter is turned off.

Password: Three programmable passwords restrict modification of programmed settings.

Advanced Functions: Addition, Difference, Average, Multiplication, Division, Maximum, Minimum

Alarm Indication: Up to 8 alarms can be indicated

Non-Volatile Memory: All programmed settings are stored in non-volatile memory for a minimum of ten years if power is lost.

Normal Mode Rejection: 60 dB at 50/60 Hz

Operating Temperature Range: -40 to 65°C.

Storage Temperature Range: -40 to 85°C.

Relative Humidity: 0 to 90% non-condensing

Connections: Screw terminals accept 12 to 22 AWG, RJ45 for external relays, digital I/O, and serial communication adapters.

UL File Number: UL & c-UL Listed. E160849; 508 Industrial Control Equipment.

Enclosure:

Mounting: 1/8 DIN panel cutout required: 3.622" x 1.772" (92 mm x 45 mm). Two panel mounting bracket assemblies are provided.

Overall Dimensions: 4.68" x 2.45" x 5.64" (119 mm x 62 mm x 143 mm) (W x H x D)

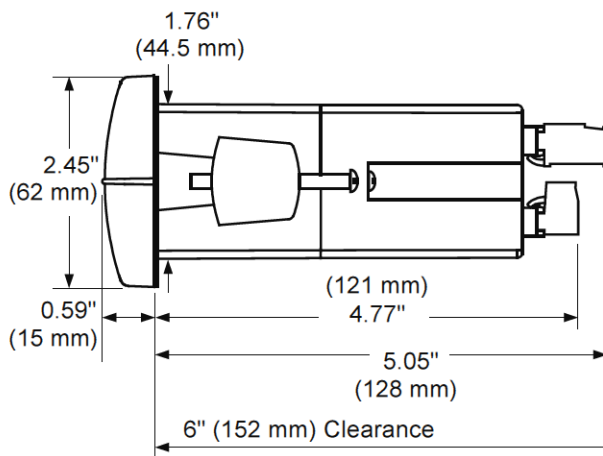
Weight: 9.5 oz (269 g)

Optional Relays:

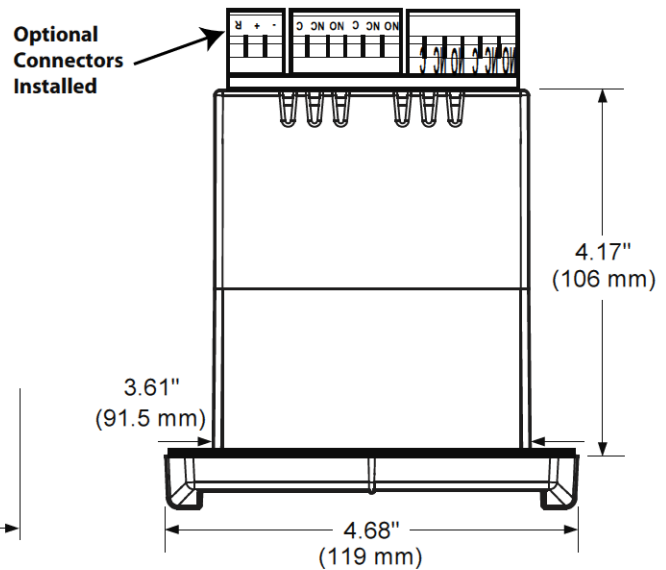
Rating: 2 SPDT (Form C) internal rated 3 A @ 30 VDC and 125/250 VAC resistive load; 1/14 HP (\approx 50 W) @ 125/250 VAC for inductive loads.

Deadband: 0-100% of span, user programmable

Dimensions:



Side View



Top View

Notes:

1. Panel cutout required: 1.772" x 3.622" (45 mm x 92 mm)
2. Panel thickness: 0.040 - 0.250" (1.0 mm - 6.4 mm)
3. Mounting brackets lock in place for easy mounting
4. Clearance: Allow 6" (152 mm) behind the panel

Disclaimer:

This is not a specification and all information is provided in good faith. Since conditions of use are beyond the control of JOWA USA, Inc., the information contained herein is without warranty, whether express, implied or otherwise. Final determination as to the suitability, merchantability or fitness of any information, material or product for a particular purpose, or any patent infringement, is the sole responsibility of the user. JOWA USA, Inc. does not assume liability for injury arising from the use of the information, material or product, and assumes no liability for any damages, whether direct, indirect, consequential, special, incidental, punitive or otherwise. For additional information regarding JOWA USA, Inc.'s limited warranty, refer to the Terms and Conditions that are currently in effect.



JOWA USA, Inc.
Littleton, MA 01460-1431 USA
Tel: 978-486-9800 E-mail: info@jowa-usa.com
www.jowa-usa.com