

JOWA USA

Digital Display Meter PD6000 Series



Features:

- 0-20 mA, 4-20 mA, 0-5 V and 1-5 V Inputs
- NEMA 4X, IP65 Front
- 85-265 VAC or 12/24 VDC Input Power
- Dual-Line 6-Digit Display, 0.60" & 0.46"
- Isolated 24 VDC @ 200 mA Transmitter Power Supply
- Math Functions for Flow & Round Horizontal Tanks
- Programmable Displays & Function Keys
- 32-Point, Square Root, or Exponential Linearization
- Multi-Pump Alternation Control
- -40 to 65°C Operating Temperature Range

Options:

- 2 or 4 Relays + Isolated 4-20 mA Output
- RS-232, RS-422/485 Serial Communication

Description:

Digital display meters provide readout of liquid level or temperature when used with level or level/temperature sensors and transmitters.

These panel mount meters are standard 1/8 DIN size, constructed of high impact plastic. The front panel is NEMA 4X. For wall mounting, an optional NEMA 4X Polycarbonate enclosure is available with hardware and a cut-out to mount the meter.

Specifications:

(Except where noted all specifications apply to operation at +25°C.)

Display: Main: 0.60" (15 mm) high, second: 0.46" (12mm) high. Both are 6 digits (-99999 to 999999), red LEDs with leading zero blanking.

Display Intensity: Eight user selectable levels.

Front Panel: NEMA 4X, IP65. Gasket provided.

Programming Methods: Four front panel push buttons, PC or cloning with Copy feature.

Noise Filter: Programmable between 2 and 199 (0 will disable filter).

Display Update Rate: 5/second (200 ms)

Digital Display Meter PD6000 Series

Specifications, continued:

MAX/MIN Display: Stored until reset by user or meter is turned off.

Non-Volatile Memory: All programmed settings are stored in non-volatile memory for a minimum of ten years if power is lost.

Power: 85-265 VAC 50/60 Hz, 90-265 VDC 20 W max, or jumper selectable 12/24 VDC $\pm 10\%$, 15 W max.

Environmental:

Operating temperature range: -40 to 150°F (-40 to $+65^{\circ}\text{C}$)

Storage temperature range: -40 to 185°F (-40 to $+85^{\circ}\text{C}$)

Relative humidity: 0 to 90% non-condensing.

Connections: Power & Signal: removable screw terminal blocks accept 12 to 22 AWG.

Enclosure: 1/8 DIN, high impact plastic, UL 94V-0, color; black

Weight: 9.5oz (269g) (with no options)

UL File Number: UL & c-UL Listed. E160849; 508 Industrial Control Equipment.

Accuracy: $\pm 0.03\%$ of calibrated span ± 1 count.

Input Impedance: Voltage range: greater than $1\text{M}\Omega$, Current range: 50-100 Ω .

Input Overload: Protected by automatically resettable fuse.

Options:

Relays

Rating: 2 or 4 SPDT (form C); rated 3 amps @ 30VDC or 3 amps @ 250VAC resistive load; 1/14 HP @ 125/250 VAC for inductive loads.

Deadband: 0-100% of full scale, user selectable

High or Low Alarm: User may program any alarm for high or low.

Relay Operation: 1. Automatic (non-latching)
2. Latching 3. Pump alternation control

Time Delay: 0 to 999.9 seconds, on and off delays; programmable.

Fail-Safe Operation: Programmable, independent

for each relay. Relay coils are energized in non-alarm condition. In case of power failure, relays will go to alarm state.

Isolated 4-20 mA Transmitter Output

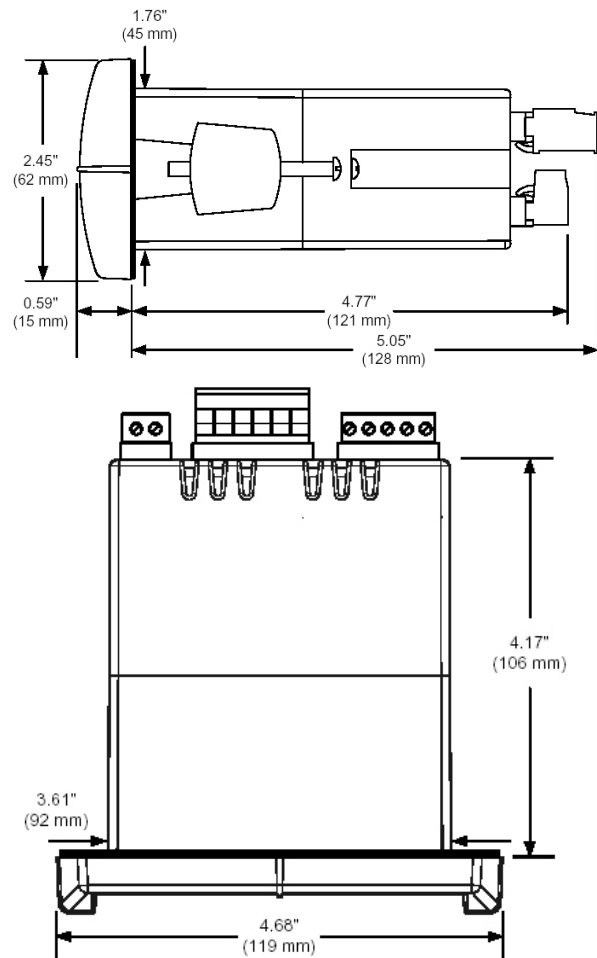
Output Range: 1.00 to 23.00mA typical

Accuracy: $\pm 0.1\%$ F.S. $\pm 0.004\text{mA}$

Temperature Drift: 50PPM/ $^{\circ}\text{C}$ from 0 to 65°C ambient Note: Analog output drift is separate from input drift.

External Power: 35VDC maximum

Mounting Dimensions:



Notes:

1. Panel cutout required: 1.77" x 3.622" (45mm x 92mm)
2. Panel thickness: 0.04" - 0.25" (1.0mm - 6.4mm)
3. Mounting brackets lock in place for easy mounting

Disclaimer:

This is not a specification and all information is provided in good faith. Since conditions of use are beyond the control of JOWA USA, Inc., the information contained herein is without warranty, whether express, implied or otherwise. Final determination as to the suitability, merchantability or fitness of any information, material or product for a particular purpose, or any patent infringement, is the sole responsibility of the user. JOWA USA, Inc. does not assume liability for injury arising from the use of the information, material or product, and assumes no liability for any damages, whether direct, indirect, consequential, special, incidental, punitive or otherwise. For additional information regarding JOWA USA, Inc.'s limited warranty, refer to the Terms and Conditions that are currently in effect.

JOWA USA, Inc.
Littleton, MA 01460-1431 USA
Tel: 978-486-9800 E-mail: info@jowa-usa.com
www.jowa-usa.com

