

MetriGuard Tank Monitor



- Used with JOWA USA level/temperature sensors
- Sends level & temperature data to ship's console
- Approved for sensors located in hazardous areas
- Applications: Fuel, Ballast, Service, Draft
- Reliable and cost effective



MetriGuard Tank Monitor

The MetriGuard Tank Monitor is a 32 or 64 channel instrument that interfaces with JOWA USA's Metritape level & level/temp sensors.

The integral Multiplexed Barrier Assembly allows for use with sensors located in hazardous (classified) locations.

Level & temperature data is sent to the ship's control console via a serial data link. Data available includes level, temperature, tank volume, draft, list, and trim (based on system configuration). Alarms are handled by the ship's console system.

The system can be configured with 24 tanks maximum.

Technical Data:

Intrinsic Safety Rating: Class I, Division 1, Group A – D, Class I, Zone 0 AEx ia IIC hazardous (classified) locations. Sensors are rated T6 Ta = 75°C, T5 Ta = 90°C and T4 Ta = 107°C (Groups C and D only).

In the 32-channel unit all channels are Intrinsically Safe or all channels are Non-Intrinsically Safe (no mixing). The 64-channel unit allows for a mix of Intrinsically Safe and Non-Intrinsically safe channels.

Serial Data Output: Modbus RTU, RS-485 (2-wire or 4-wire) or RS-232, Optically Isolated to 1500 Volts Peak

Input Power: 95-245VAC, 48-65Hz

Power Consumption: 10 Watts maximum

Operating Temperature: 0 - 50°C (32 - 120°F)

Relay Output: Loss of Power Relay

Enclosure:

IP52 / NEMA 12

Mounts in Non-Hazardous Area

Weight: 16KG / 35 LBS

1.5mm & 1.2mm (16 & 18 Gauge) steel

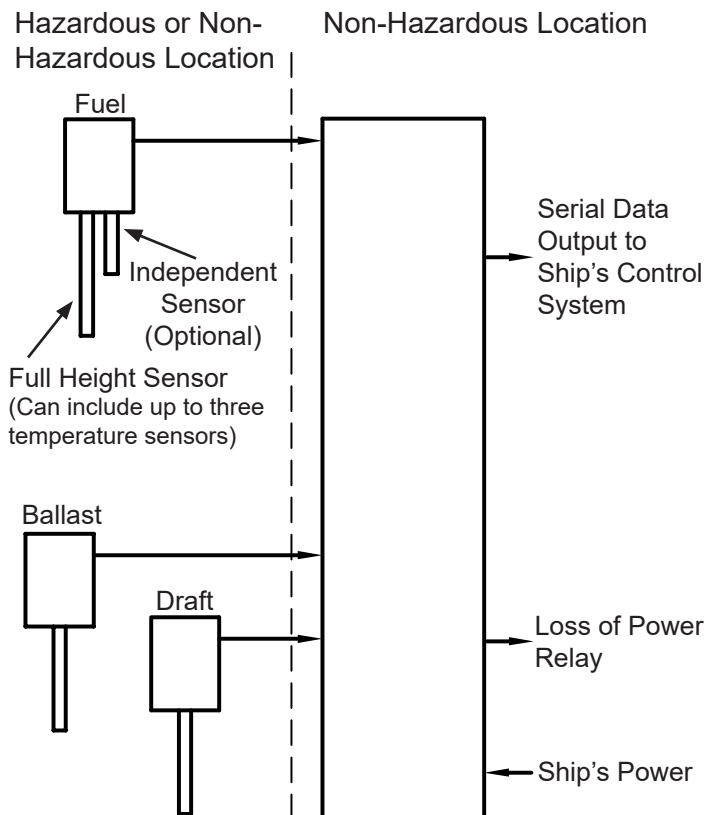
Paint color: ANSI 61 Gray (Standard)

Munsell 7.5 GB 7/2 (Premium)

Other colors available

32-Channel: 610 x 406 x 180mm (24 x 16 x 7")

64-Channel: 610 x 508 x 180mm (24 x 20 x 7")



JOWA USA, Inc.

59 Porter Road

Littleton, MA 01460-1431 USA

Tel: 978-486-9800

Fax: 978-486-0170

E-mail: info@jowa-usa.com

www.jowa-usa.com