

JOWA USA

Loop Powered Indicator, Explosion Proof Model PD663



Features:

- 4-20mA Input Loop-Powered Process Meter
- 1.7 Volt Drop
- 0.6" (15.24mm) 3½⁺ Digit Display
- Operates from -40°C to +75°C
- Easy Four-Button Programming
- Programmable Noise Filter
- Max/Min Display
- Explosion-Proof, IP68, NEMA 4X enclosure
- 32-Point and Square Root Linearization Functions
- FM and CSA Approved

Description:

The PD663 is a rugged, explosion-proof NEMA 4X loop-powered meter perfect for applications where a simple display is required in a hazardous area.

The PD663 derives all its power from the 4-20 mA loop. The PD663 is scaled using four push buttons and can be done without applying an actual calibration signal, and through the explosion-proof enclosure with optional magnetic reed switches and a magnet key.

The PD663's display will read up to 2999; we call this 3½⁺ digits! The PD663 is housed in a rugged, explosion-proof, cast aluminum, NEMA 4X enclosure and is provided with two threaded conduit holes and integrated pipe or wall mounting flanges.

Loop Powered Indicator, Explosion Proof Model PD663

Specifications:

(Except where noted all specifications apply to operation at +25°C.)

Input: 4-20mA

Display: 0.6" (15.24mm) LCD, 3½+ digits; -1999 to +2999

Display Update Rate: 2/second

Accuracy: ±1 count

Programming Method: 4 Internal Pushbuttons (behind glass). Magnet may also be used for programming; Model # PDA-MAG.

Function: Linear (2 to 32 points) or square root

Noise Filter: Programmable HI, LOW, or OFF

Temperature Drift: 50 PPM/°C from -40 to 75°C ambient

Maximum Voltage Drop: 1.7V @ 20mA

Max/Min Display: Max/Min readings reached by the process are stored until reset by the user or until power to the meter is turned off.

Operating Temperature: -40°C to +75°C

Storage Temperature: -40°C to +75°C

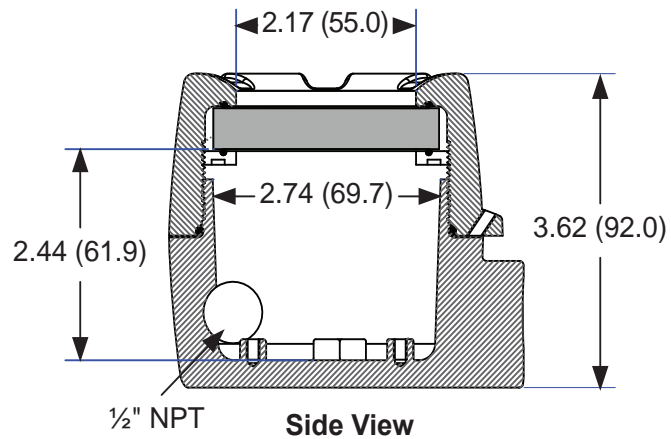
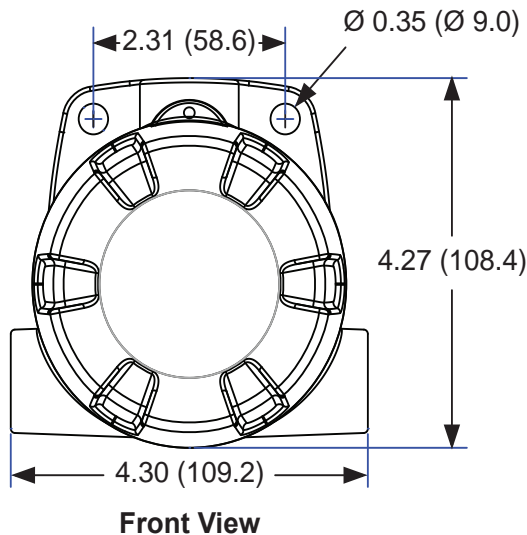
Relative Humidity: 0 to 90% non-condensing.

Connections: Removable screw terminal accepts 12 to 22 AWG wire.

Weight: 40oz (1.13kg)

Enclosure: Explosion-proof cast aluminum with glass window, 0.30% max copper content, corrosion resistant powder coating, color: blue. NEMA 4X, IP68. Two ½" NPT threaded conduit openings. One ½" NPT nickel plated brass conduit plug with 10 mm hex key fitting installed.

Dimensions:



Units: Inches (mm)

Disclaimer:

This is not a specification and all information is provided in good faith. Since conditions of use are beyond the control of JOWA USA, Inc., the information contained herein is without warranty, whether express, implied or otherwise. Final determination as to the suitability, merchantability or fitness of any information, material or product for a particular purpose, or any patent infringement, is the sole responsibility of the user. JOWA USA, Inc. does not assume liability for injury arising from the use of the information, material or product, and assumes no liability for any damages, whether direct, indirect, consequential, special, incidental, punitive or otherwise. For additional information regarding JOWA USA, Inc.'s limited warranty, refer to the Terms and Conditions that are currently in effect.



JOWA USA, Inc.
59 Porter Road
Littleton, MA 01460-1431 USA
Tel: 978-486-9800 Toll free: 800-861-1560
Fax: 978-486-0170 E-mail: info@jowa-usa.com
www.jowa-usa.com