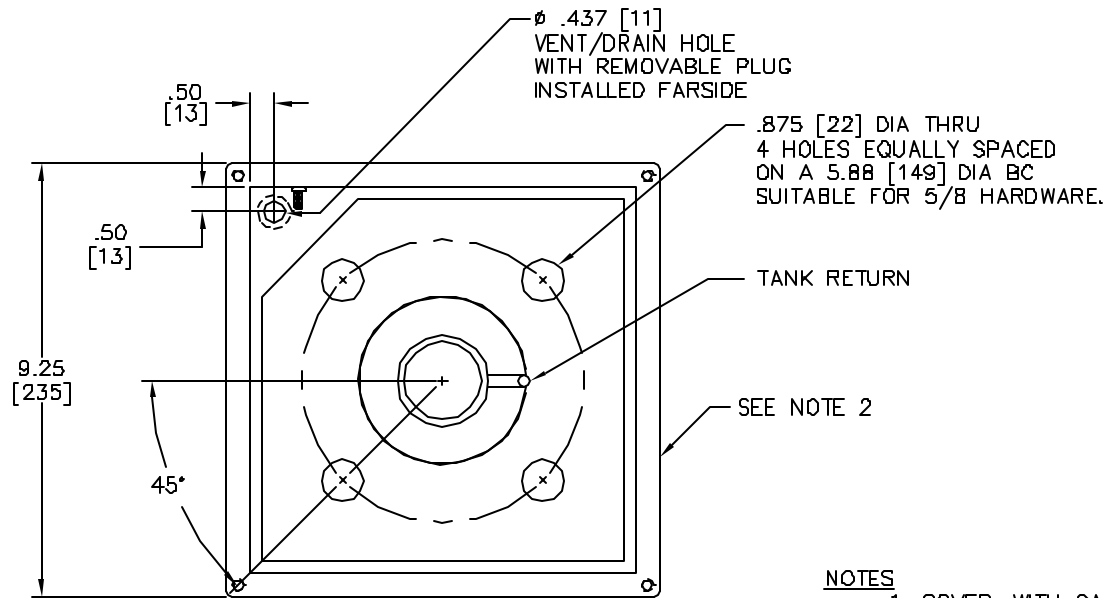
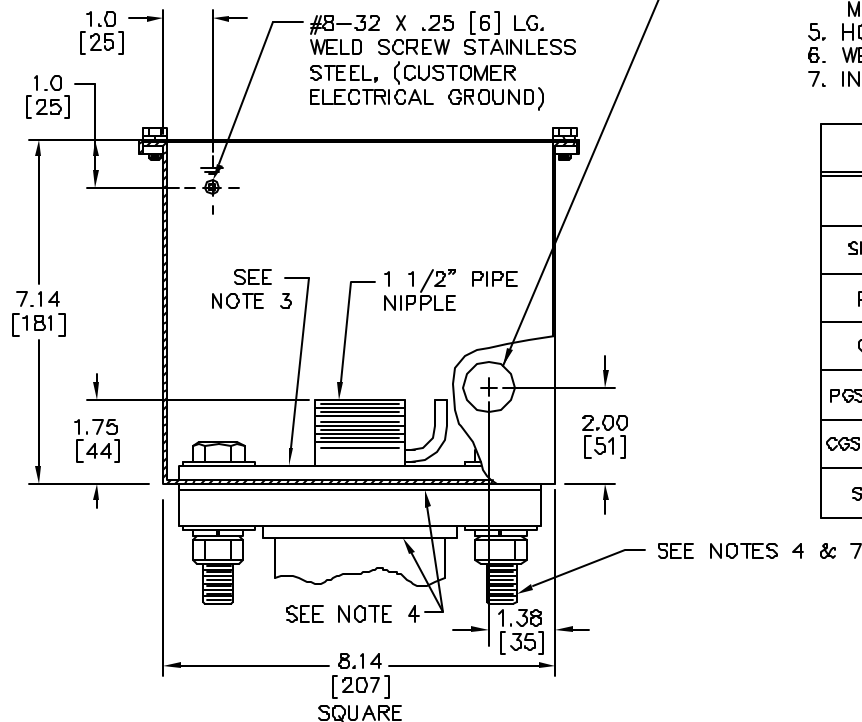


REV	REVISIONS	DATE	APPD
A	ORIGINAL RELEASE	4/97	EDC
B	REV PER ECO# 2788	10/01	DAS



SHOWN WITH COVER REMOVED  
3/4 CONDUIT WRING ACCESS  
1.06 [27] DIA



#### NOTES

- COVER, WITH GASKET, SCREWS AND WASHERS SUPPLIED, SEE CHART.
- BOX MATERIAL: SEE CHART.
- 3/8 STIFFENER MATERIAL: SEE CHART.
- HOUSING IS MOUNTABLE ON THE FOLLOWING FLANGES.  
ANSI: B16.5, 150 LB, 3 INCH.  
DIN: 2576, NP10, 65 mm.  
JIS: B2202, 10K, 80 mm.
- MOUNTING FLANGE, GASKET AND HARDWARE PROVIDED BY CUSTOMER.
- HOUSING IS DUST TIGHT AND WATER TIGHT TO IP 53 PER IEC 529.
- WEIGHT APPROXIMATELY 20 LBS. [9.1 KG].
- INDICATED PARTS ARE SHOWN OUT OF ORIENTATION.

MODEL NO.	CONSILUM PART NO.	BOX/COVER MATERIAL	STIFFENER MATERIAL	SCREW/WASHER MATERIAL
SH/887-03	1821201	304 SS	HRS ZINC PLATE	304 SS
SH/887-03 (CSA)	1821202	304 SS	HRS ZINC PLATE	304 SS
PGS/SH887-03	1821203	304 SS	HRS ZINC PLATE	304 SS
CGS/SH887-03	1821204	304 SS	HRS ZINC PLATE	304 SS
PGS/SH887-03 (CSA)	1821205	304 SS	HRS ZINC PLATE	304 SS
CGS/SH887-03 (CSA)	1821206	304 SS	HRS ZINC PLATE	304 SS
SH/316SS887-03	1821207	316 SS	316 SS	316 SS

DIM'S ARE INCHES [mm] ALL METRIC DIMENSIONS ARE DERIVED FROM INCHES		<b>JOWA Consilium</b>	
<		OUTLINE & MOUNTING 887 SENSOR HOUSING	
DRN	NAP	3/21/97	REV. B
CHKD:		C	1825001
NEXT ASSY	USED ON	APPD: EDC	4/30/97
SCALE: 1:2		SHEET 1 OF 1	