



## 3SEP - OILY WATER SEPARATOR

### NO MORE THAN 15-PPM

The 3SEP OWS is a dual stage oily bilge water separation system utilizing differential specific gravity, coalescence plates and filtration to separate and remove free and emulsified oil. The unit is available in five different capacities; 0.5 m<sup>3</sup>/h, 1.0 m<sup>3</sup>/h, 2.5 m<sup>3</sup>/h, 5.0 m<sup>3</sup>/h and 10.0 m<sup>3</sup>/h. The skid is optimised so that the footprint of the 3SEP OWS is as small as possible. The 1m<sup>3</sup>/h model pictured has a footprint of only 950 x 760mm.

**Sweden**  
**JOWA AB**  
Tulebovägen 104  
S-428 34 Källered  
Sweden  
Telephone: +46-31 726 54 00  
Telefax: +46-31 795 45 40  
website: [www.jowa.com](http://www.jowa.com)  
e-mail: [info@jowa.se](mailto:info@jowa.se)

**Norway**  
**JOWA NORGE A/S**  
Solbergveien 22  
3057 Solbergelva  
Norway  
Telephone: +47-3223 6700  
Fax: +47-3223 6701  
website: [www.jowa.no](http://www.jowa.no)  
e-mail: [post@jowa.no](mailto:post@jowa.no)

**Germany**  
**JOWA GERMANY GMBH**  
Hansestrasse 21 / Haus 2  
18182 Rostock-Bentwisch  
Germany  
Telephone: +49-381 6302 660  
Fax: +49-381 6302 641  
website: [www.jowa.de](http://www.jowa.de)  
e-mail: [info@jowa.de](mailto:info@jowa.de)

**Netherlands**  
**JOWA HOLLAND**  
Ebweg 61  
2991 LS Barendrecht  
Netherlands  
Telephone: +31(0)180 55 71 33  
Fax: +31(0) 180 61 11 27  
website: [www.jowa-holland.nl](http://www.jowa-holland.nl)  
e-mail: [post@jowa-holland.nl](mailto:post@jowa-holland.nl)

**USA**  
**JOWA USA, INC.**  
59 Porter Road  
Littleton, MA 01460  
USA  
Telephone: +1-978 486 98 00  
Fax: +1-978 486 01 70  
website: [www.jowa-usa.com](http://www.jowa-usa.com)  
e-mail: [info@jowa-usa.com](mailto:info@jowa-usa.com)

**Singapore**  
**JOWA (S) PTE., LTD.**  
93 Lorong N Telok Kurau #05-04  
Singapore 425244  
Singapore  
Telephone: +65-6872 8802  
Fax: +65-6872 8896  
website: [www.jowa.sg](http://www.jowa.sg)  
e-mail: [jowaspdk@singnet.com.sg](mailto:jowaspdk@singnet.com.sg)

**China**  
**JOWA (Shanghai) Marine  
Equipment Co., Ltd.**  
5111 Luo Shan Road,  
Pudong New Area  
Shanghai 201204  
China  
Telephone: +86-21-3390 6889/90/91/92  
Fax: +86-21-3390 7550  
e-mail: [jowasha@jowa.com.cn](mailto:jowasha@jowa.com.cn)

**China**  
**JOWA (Shaoxing) Enviroment  
Protection Equipment Co., Ltd.**  
3# He Hu Road  
Paojiang Industrial Estate  
Shaoxing 312071  
China  
Telephone: +86 575 88179900  
Fax: +86 575 88158630

**Korea (South)**  
**Jowa Korea Co. Ltd.**  
1650-6, Song Jung Dong  
Gang Seo - Gu  
618-819 Busan  
South Korea  
Telephone: +82-51-831-4911-3  
Fax: +82-51-831-4914  
website: [www.jowakorea.kr](http://www.jowakorea.kr)  
e-mail: [info@jowakorea.kr](mailto:info@jowakorea.kr)

For many decades now, Jowa has been a trusted and reliable supplier of technical environmental protection equipment to the shipping industry. We can offer every conceivable service for installation, supervision, operation, monitoring and control of Jowa's equipment. You can choose between our own personnel or one of our trained representatives all over the world.

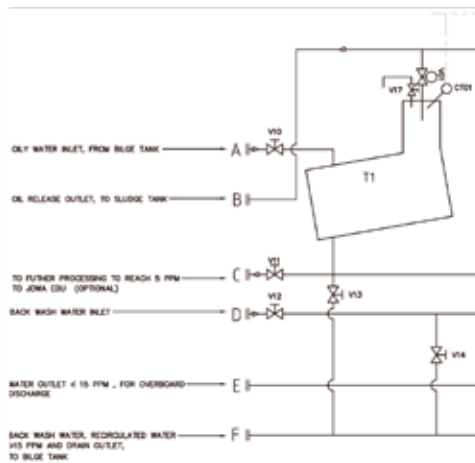
THE JOWA GROUP



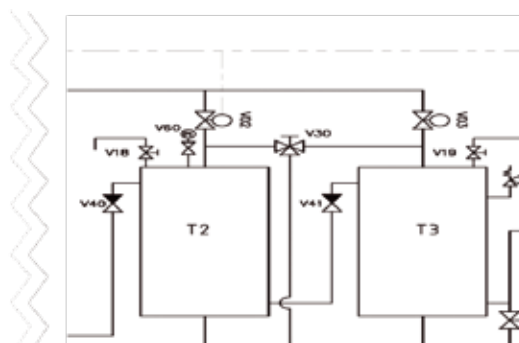
## Function

The system is designed for a continuous flow with automatic operation. The system does not require any chemicals.

The first stage removes the free oil by gravity with the help of coalescence plates. An adjustable oil sensor controls the valve for automatic oil release to the sludge tank or any other dedicated tank. The adjustable oil sensor makes it possible to minimise the amount of treatable water released to the sludge tank.



In the second stage emulsified oil is removed in the two filter tanks and the ppm value is monitored by a 15-ppm bilge alarm, before the treated water is discharged overboard. The collected free oil on top of each filter tank is released automatically to the sludge tank at a pre-set interval. When a 15 ppm alarm occurs, the 3SEP OWS will automatically close the overboard line and re-circulate the treatable water to the bilge. When the contamination falls below 15 ppm the overboard valve will open again without human intervention.



The system is designed as a skid assembly with all connection points collected, for easy installation. When the unit reaches the customer the only remaining thing to do is to connect water inlets and outlets and the electrical power supply, facilitating quick and easy installation onboard. Before leaving our workshop each unit has to pass a quality-test, where all functions are tested.

All equipment has the highest quality; the tanks are made of acid proof stainless steel, AISI 316L. Our pumps are supplied by internationally recognised brands. Spare parts are easily available from one of our offices or representatives worldwide.

## Main features

- » v107(49)
- » Treated water below 15ppm
- » Separates free and emulsified oil
- » Continuous flow with automatic operation
- » Does not require any chemicals
- » Plug n' play, easy installation
- » Skid design, small footprint
- » High quality material and parts
- » Tanks made of stainless steel, AISI 316L
- » Can easily be connected to JOWA EBU unit for less than 5ppm applications
- » Capacity range 0.5-10 m3/h
- » Approvals; DNV, CCS, USCG & RMRS

