

# JOWA USA

## Loop Powered Display Explosion Proof Model 1669200



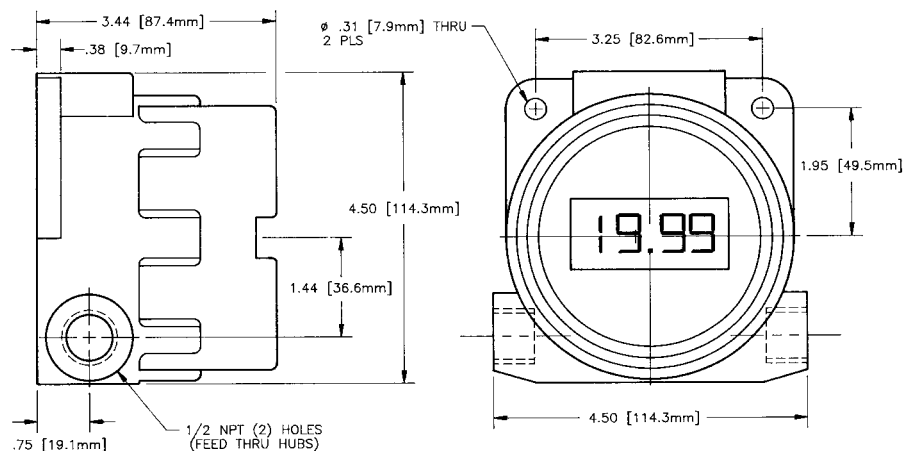
### Features:

- 3 1/2 Digit LCD Display
- Intrinsically Safe
- Explosion Proof NEMA 7 Enclosure
- Wall or Threaded Pipe Mount
- Wide Operating Temperature Range

### Description:

JOWA USA's 2-wire loop-powered meter, model 1669200 is powered by 4-20mA process current. The level displayed is directly proportional to the current. The meter is a liquid crystal digital (LCD), with 3 1/2 digits, allowing values between 1999 and -1999 to be displayed. This meter is designed for mounting to a wall or threaded pipe anywhere along the 4-20mA loop, subject to safety limitations. For hazardous locations approved intrinsic safety barriers must be utilized for sensor, transmitter and meter intrinsic safety.

### Dimensions:



# Loop Powered Display Explosion Proof Model 1669200

## Specifications:

### Input:

Voltage drop: 3.0 VDC @ 20 mA.  
Current range: 4-20 mA process current.  
Maximum current: 60 mA (forward or reverse).

### Display:

Type: 7 Segment, 3 1/2 digit LCD.  
Digit height: 0.5" (13mm).  
Over range: Blinks last three digits.

### Temperature:

Operating: -40 to 185°F (-40 to 85°C).

### Performance:

Accuracy:  $\pm 0.1\%$  of span,  $\pm 1$  count.  
Temperature effects: Zero:  $\pm 0.1$  count / °C.  
Span:  $\pm 0.01\%$  of span / °C.

### Adjustments:

Zero Adjust (4mA): -1999 to +1999 counts (2 DIP switch coarse setting plus potentiometer fine adjust; does not interact with span potentiometer).

Span (20mA-4mA): 0 to 3998 counts (2 DIP switch coarse setting plus potentiometer fine adjust).  
Decimal Point: xxxx xxx.x xx.xx x.xxx (3 DIP switch settings).  
Minus sign: Enabled/Disabled (1 DIP switch setting).

### Enclosure:

Housing: Cast copper-free aluminum.  
Rating: Explosion proof, NEMA 7.  
Overall size: 4.5"W x 4.5"H x 3.5"D (114mm x 114mm x 89mm).  
Weight: 2.8 lbs (1.3 kg).

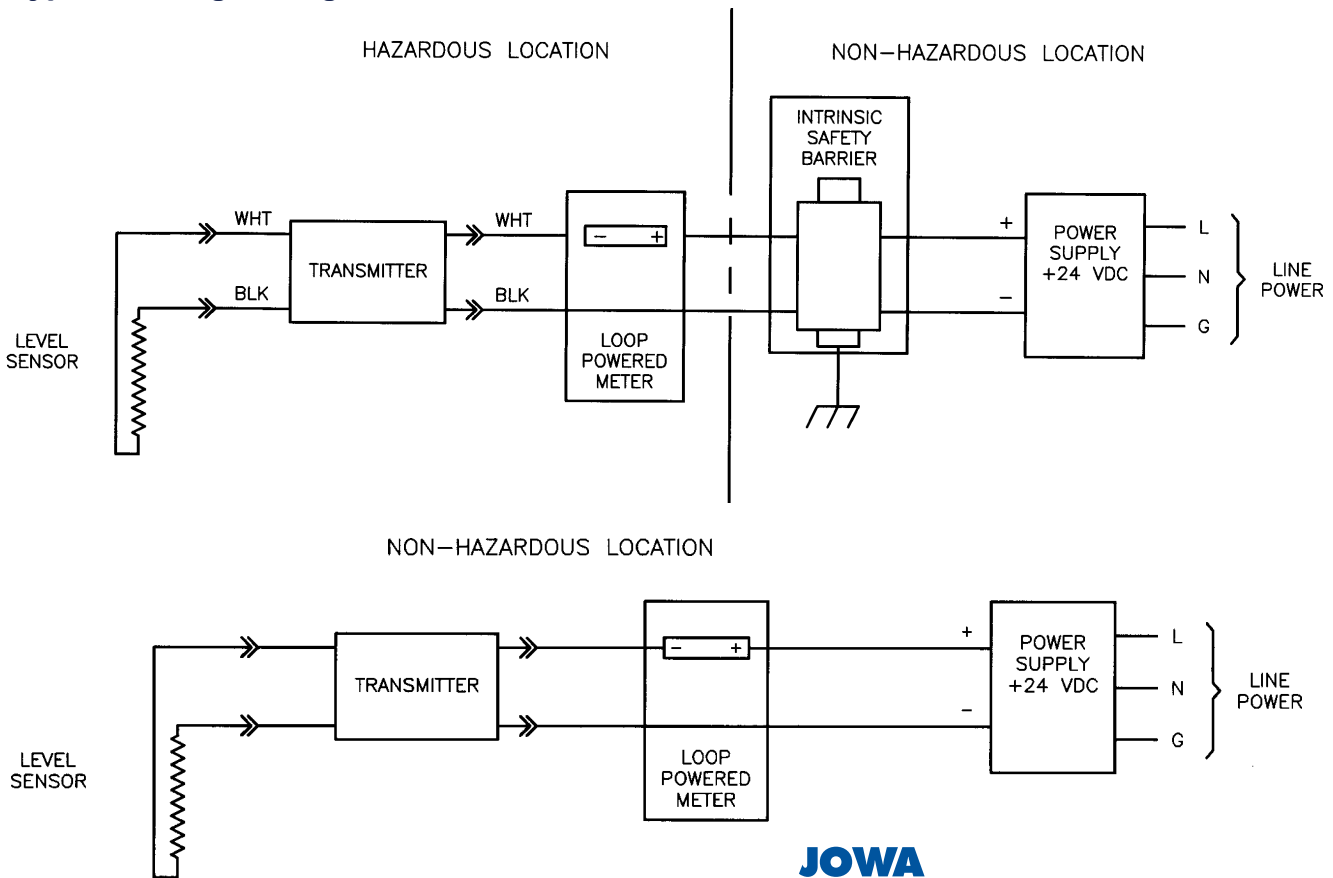
### Mounting:

Style: Wall or threaded pipe.  
Holes: Two .312" (7.94mm) diameter spaced at 3.25" (82.55mm).

### Approvals:

FM: Class I, Division 1, Groups A, B, C, & D.  
FM Entity parameters:  $V_{max} = 32VDC$ ,  
 $I_{max} = 150mA$ ,  $C_i = 0mfd$ ,  $L_i = 0mH$ .  
CSA: Pending.

## Typical Wiring Configurations:



### Disclaimer:

This is not a specification and all information is provided in good faith. Since conditions of use are beyond the control of JOWA USA, Inc., the information contained herein is without warranty, whether express, implied or otherwise. Final determination as to the suitability, merchantability or fitness of any information, material or product for a particular purpose, or any patent infringement, is the sole responsibility of the user. JOWA USA, Inc. does not assume liability for injury arising from the use of the information, material or product, and assumes no liability for any damages, whether direct, indirect, consequential, special, incidental, punitive or otherwise. For additional information regarding JOWA USA, Inc.'s limited warranty, refer to the Terms and Conditions that are currently in effect.



JOWA USA, Inc.

59 Porter Road  
Littleton, MA 01460-1431 USA

Tel: 978-486-9800 Toll free: 800-861-1560

Fax: 978-486-0170 E-mail: [info@jowa-usa.com](mailto:info@jowa-usa.com)

[www.jowa-usa.com](http://www.jowa-usa.com)