

**Digital Display Meter** Models 1669100 and 1669101**Features:**

Models 1669100 and 1669101 offer:

- 6 Digit LED Display
- Transmitter Excitation
- NEMA 4 Front Panel

Model 1669101 Features:

- Two Alarm Set Points (Relays)
- 4-20mA Current Output
- Linearization

**Description:**

Consilium's digital display meters provide readout of liquid level or temperature when used with resistance-tape sensors and transmitters. Accepting a standard 4-20mA process current input, these microprocessor based meters display values between 999999 and -99999 engineering units. Both models include 18 volt source for transmitter excitation. The 1669101 provides two alarm set points, linearization and an isolated analog output with all parameters programmable by the user.

These panel mount meters are standard 1/8 DIN size, constructed of high impact plastic. The front panel is NEMA 4. For wall mounting, an optional NEMA 4X polycarbonate enclosure is available with hardware and a cut-out to mount the meter. Mounting hardware to be supplied locally.

# Digital Display Meter Models 1669100 and 1669101

## Specifications:

**Input:** 4-20 mA process current input.

**Data Entry:** Microprocessor based - all digital setup and calibration.

**Display:** 6-digit, 0.56" (14mm) high red LED display.

**Input Impedance:** 10  $\Omega$  (0.2 VDC @ 20 mA).

**Input Power:** 115/220 VAC switch selectable, 14 watts.

**Temperature:** Operating: 32 to 122°F (0 to 50°C).  
Storage: -40 to 176°F (-40 to 80°C).

**Transmitter Excitation:** Supply: 18 VDC @ 60 mA.

### Alarm (1669101 only):

Relays: 2 Form C; 5A @ 120 VAC or 28 VDC.

Solid State: Open collector; 100mA; 30 VDC.

Indication: Flashing message (can be disabled).

Alarm: Can be set up for high or low.

**Linearization (1669101 only):** Points/segments: 10/9.

**Output Current (1669101 only):** Maximum load:  
500 $\Omega$  @ 20mA (10 VDC compliance voltage).

### Performance:

Accuracy:  $\pm .02\% \pm 1$  digit.

Temperature effects:

Zero:  $\pm .0005\%$  of span / °C.

Span:  $\pm .004\%$  of span / °C.

### Setup Parameters:

Decimal point: xxxxxx, xxxxx.x, xxxx.xx, xxx.xxx, xx.xxxx.

Calibration: Two points - user must specify input current / high value and input current / low value; current may be provided as a signal input or entered

### Enclosure:

Package: 1/8 DIN (48mm x 96mm) panel mount.

Front panel: Die cast metal bezel; NEMA 4.

Gasket: Meter to panel. Case: High impact plastic.

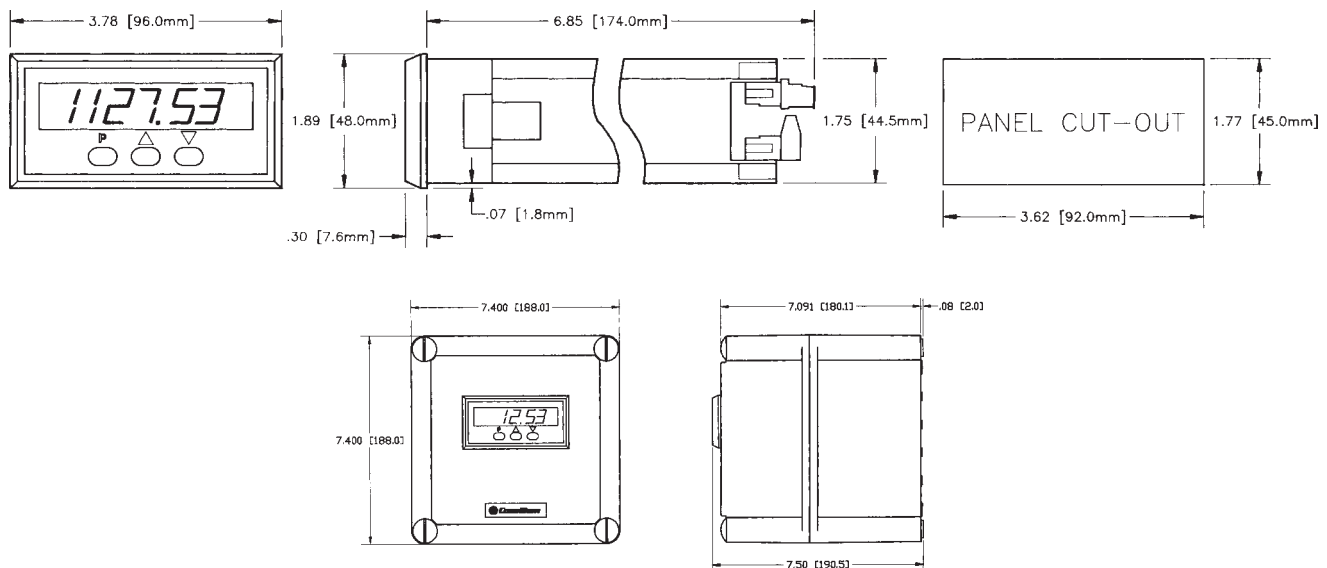
### Mounting:

Panel Cutout: 1.77" (45mm) H x 3.63" (92mm) W.

Depth: 6.85" (174mm) + 0.25" (6mm) for wiring.

**Weight:** 1.2 lbs. (.5 kg).

## Dimensions:



### Disclaimer:

This is not a specification and all information is provided in good faith. Since conditions of use are beyond the control of Consilium US, Inc., the information contained herein is without warranty, whether express, implied or otherwise. Final determination as to the suitability, merchantability or fitness of any information, material or product for a particular purpose, or any patent infringement, is the sole responsibility of the user. Consilium US, Inc. does not assume liability for injury arising from the use of the information, material or product, and assumes no liability for any damages, whether direct, indirect, consequential, special, incidental, punitive or otherwise. For additional information regarding Consilium US, Inc.'s limited warranty, refer to the Terms and Conditions that are currently in effect.



**Consilium US, Inc.**

59 Porter Road

Littleton, MA 01460-1431 USA

Tel: 978-486-9800 Toll free: 800-861-1560

Fax: 978-486-0170 E-mail: [info@consiliumus.com](mailto:info@consiliumus.com)